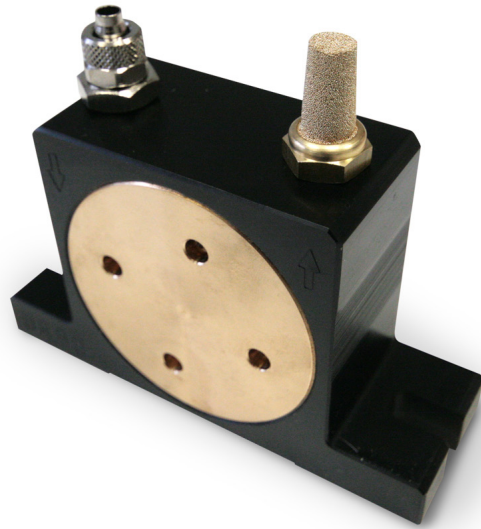
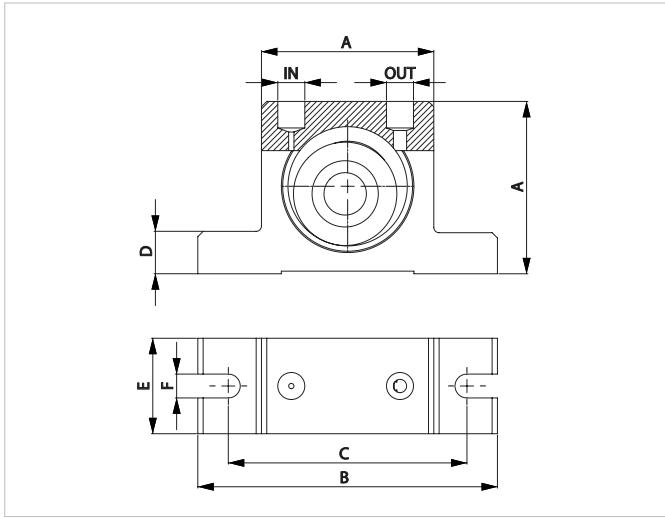


OR Series - Rotary Roller Vibrator



TECHNICAL DATA SHEET



Type	Overall dimension														IN-OUT		Peso - Weight	
	A		B		C		D		E		F							
	mm	inch	mm	inch	mm	inch	mm	inch	mm	inch	mm	inch	Kg	lbs				
OR50	50	1.97	86	3.39	68	2.68	12	0.47	30	1.18	7	0.28	1/8" GAS	0.37	0.81			
OR65	65	2.56	113	4.45	90	3.54	16	0.63	36	1.42	9	0.35	1/4" GAS	0.76	1.67			
OR80	80	3.15	128	5.04	102	4.02	16	0.63	40	1.57	9	0.35	1/4" GAS	1.27	2.79			
OR100	100	3.94	160	6.30	130	5.12	20	0.79	52	2.05	11	0.43	1/4"-3/8" GAS	2.60	5.72			

Type	Features														
	Vibration			F.c. max						Air consumption					
	Vpm			2bar = 29psi		4bar = 58psi		6bar =87 psi		2bar = 29psi		4bar = 58psi		6bar =87 psi	
	2bar = 29psi	4bar = 58psi	6bar =87 psi	Kg	lbs	Kg	lbs	Kg	lbs	l/min	CF/min	l/min	CF/min	l/min	CF/min
OR50	21000	25000	29500	188	413	281	619	355	780	78	2.8	144	5.1	204	7.2
OR65	19000	22000	26000	235	516	439	966	552	1215	100	3.5	198	7.0	296	10.5
OR80	14000	16000	21500	342	752	587	1292	624	1373	122	4.3	255	9.0	378	13.3
OR100	6750	9750	11000	289	637	604	1329	783	1722	132	4.7	284	10.0	412	14.5

APPLICATION HOPPER AND SILO - PIPING - CHUTE - CONCRETE COMPACTION

POWDER HYGROSCOPIC

PROBLEM SOLVING FRICTION REDUCTION - COMPACTION

FEATURES

DUTY CICLE CONTINUOUS

WORKING PRESSURE FROM 2 BAR TO 6 BAR (FROM 29 PSI TO 87 PSI)

PNEUMATIC CIRCUIT FILTER+FLOW CONTROL VALVE+LUBRIFICATION+3/2 WAYS VALVE

AIR SUPPLY QUALITY CLASS 5.4.4.

WORKING TEMPERATURE FROM -20°C TO 200°C (FROM -4°F TO 392°F)

MAX NOISE LEVEL <90 DB(A)

TECHNOLOGY ROLLER VIBRATION - HIGH FREQUENCY AND CENTRIFUGAL FORCE

ATEX II 2D CT(X) / II 2G CT(X)

MATERIAL ALUMINUM BODY AND BRASS COVER