

Mechanical Features

General

| | |
|----------------|-----------|
| Working Moment | 22.4 kgcm |
| Unbalance | 11.2 kgcm |
| FC | 1616 kg |

Bearings

| | |
|------------|-----------|
| TYPE (SKF) | 6306-2Z |
| | 100% 456 |
| Life(h) | 80%: 891 |
| | 50%: 3650 |

Bearing Grease

| | |
|----------------------|---|
| Lube Schedule (g) | 0 |
| Lube Replacement (g) | 0 |
| Grease Type | |

Electric Features

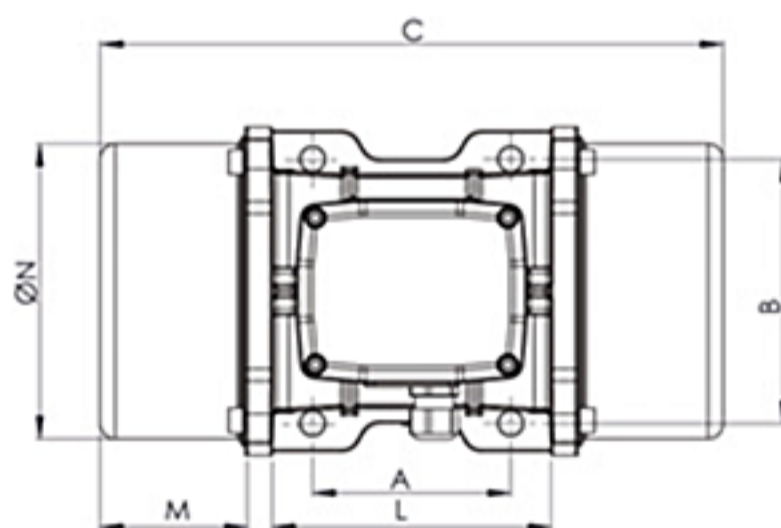
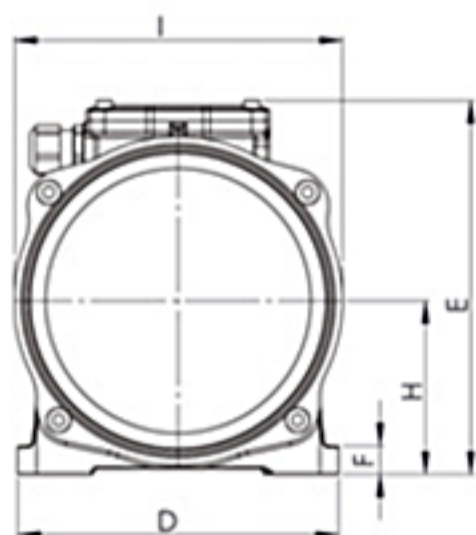
General

| | |
|-----------------|-------------------|
| Nominal Voltage | Δ : 24 |
| Input Power | 0.52 kW |
| Current A Max | Δ : 21.5 A |
| Power factor | |
| Ia/In | 5 |

Certification

| | |
|------------------------------|---------------------------------------|
| ATEX II 3D Ex tD A22 IP66 | T 100° |
| Amb Temp. | $-20 \leq T^{\circ}\text{C} \leq +40$ |

Dimensional Features (mm)

Fig. D1


| | |
|-------|-----|
| A | 120 |
| B | 170 |
| C | 324 |
| M | 64 |
| G | 17 |
| holes | 4 |
| D | 208 |
| E | 212 |
| F | 18 |
| H | 96 |
| I | 185 |
| L | 197 |
| N | 170 |

**Clamping
Torque
(Nm)**
185

| | | | | |
|------------|-------|--------|------------|--------------|
| Weight(kg) | Screw | Washer | Cable Type | Cable Glante |
| 21.8 | M16 | 17x30 | 2Gx1.5 | M20x1,5 |