

## Mechanical Features

### General

Working Moment	10.4 kgcm
Unbalance	5.2 kgcm
FC	530 kg

### Bearings

TYPE (SKF)	6306-2Z
	100% 1844
Life(h)	80%: 3602
	50%: 14753

### Bearing Grease

Lube Schedule (g)	0
Lube Replacement (g)	0
Grease Type	

## Electric Features

### General

Nominal Voltage	$\Delta$ : 24
Input Power	0.25 kW
Current A Max	$\Delta$ : 11 A
Power factor	

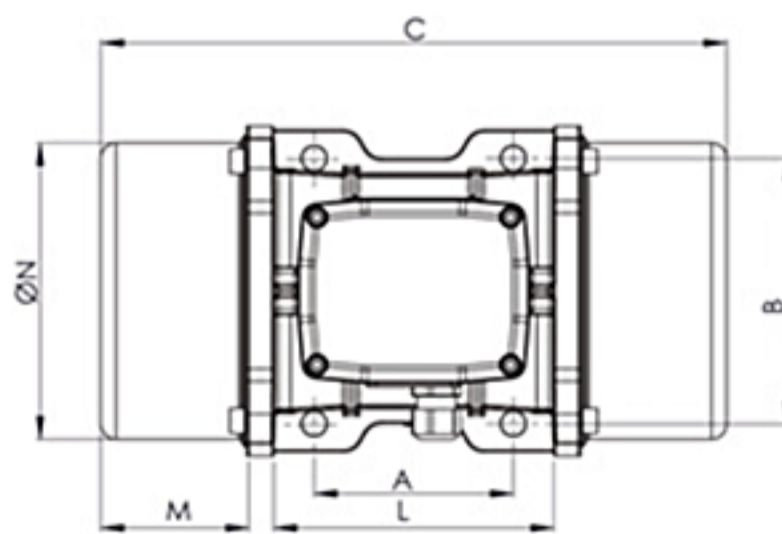
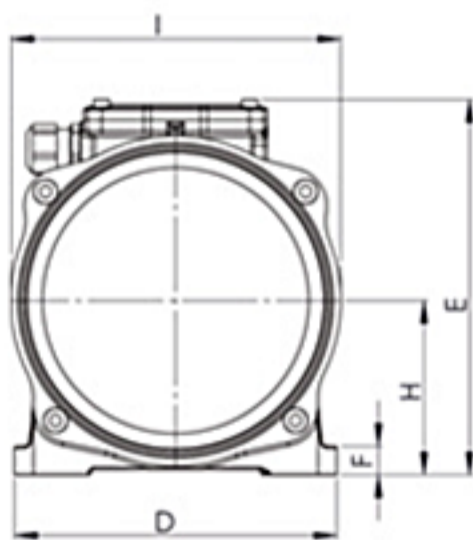
Ia/In	5
-------	---

### Certification

ATEX II 3D Ex tD A22 IP66	T 100°
Amb Temp.	-20 ≤ T°C ≤ +40

## Dimensional Features (mm)

Fig. D1



A	105
B	140
C	330
M	78
G	13
holes	4
D	170
E	198
F	15
H	92
I	174
L	174
N	0

Clamping  
Torque  
(Nm)

80

Weight(kg)	Screw	Washer	Cable Type	Cable Glante
14.4	M12	13x24	2Gx1.5	M20x1,5